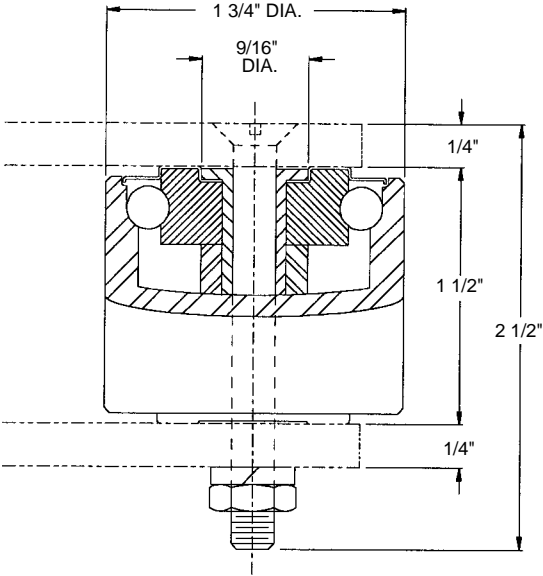


**Description:**

- Semi-precision bearing
- Full complement of balls
- 415 lb. per roller load rating
- Hardened roller face
- Non-Regreasable

**Note:** *Zero clearance between OAC and frame is required.*



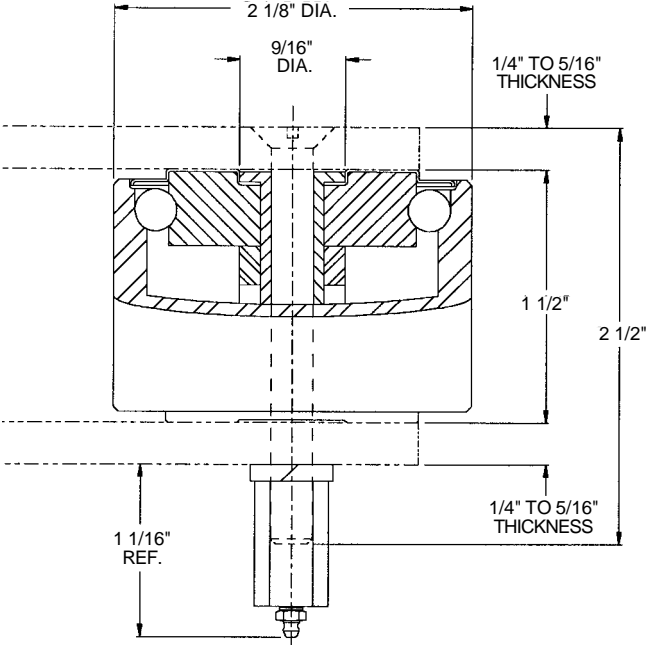
**Roller No. 111654**  
with Pin No. 31431

**Note:** *Rollers and pins can be purchased separately.*

**Description:**

- Semi-precision bearing
- Full complement of balls
- 415 lb. per roller load rating
- Hardened roller face
- Regreasable using pin as shown

**Note:** *Zero clearance between OAC and frame is required.*



**Roller No. 111658**  
with Pin No. 31431 & Lube Nut No. 31432