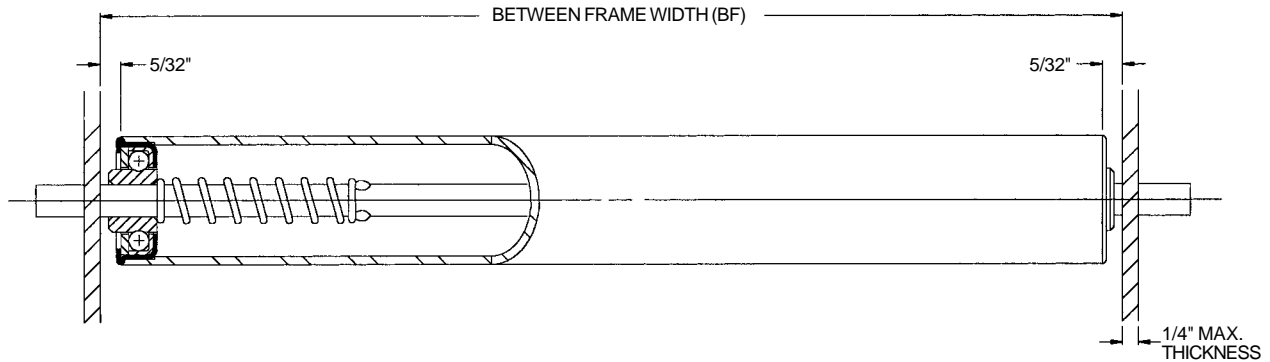


## Roller 1 in. O.D. x 16 ga. - 1/4 in. Round Axle



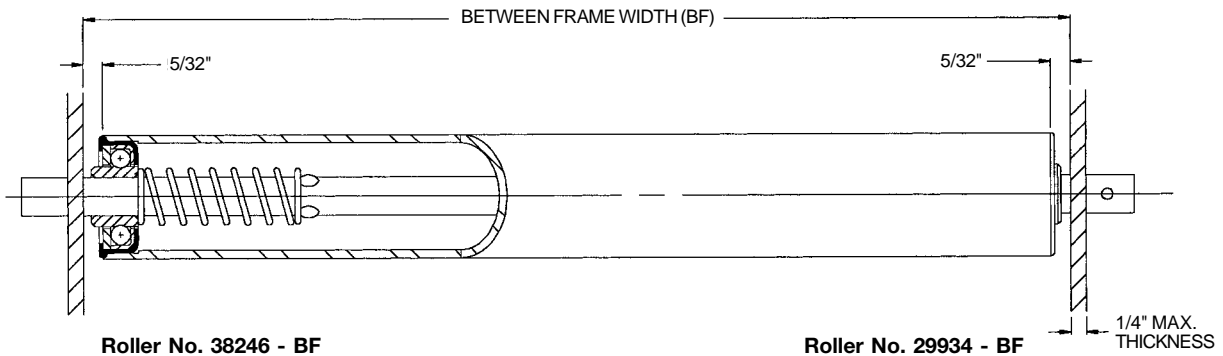
**Description:**

- Tube:** 1 in. O.D. x 16 ga. (.065 in.)
- Axle:** 1/4 in. Round
- Bearing No.:** 102245 - Plain
- Spring No.:** 25279
- Weight (lbs.):** 0.17 + 0.07 x BF
- Roller No.:** 29933 - BF
- BF Range:** 6 - 28

ROLLER CAPACITY CHART (LBS.)			
BF*	Bearing No. 102245	BF*	Bearing No. 102245
7	60	19	60
9	60	21	60
11	60	23	60
13	60	25	55
15	60	27	51
17	60	28	49

\* Between Frame Widths available from 6 in. to 28 in.

## Roller 1 in. O.D. x 16 ga. - 5/16 in. Round Axle



Roller No. 38246 - BF

Roller No. 29934 - BF

**Description:**

- Tube:** 1 in. O.D. x 16 ga. (.065 in.)
- Axle:** 5/16 in. Round
- Spring No.:** 31441
- Pin No.:** 101136
- Weight (lbs.):** 0.17 + 0.07 x BF

Roller No.	Bearing No.	Retained	BF
38246 - BF	102272 - Plain	Spring	6 - 39
29934 - BF	102272 - Plain	Pin	3 - 39

ROLLER CAPACITY CHART (LBS.)			
BF*	Bearing No. 102272	BF*	Bearing No. 102272
7	60	25	60
9	60	27	60
11	60	29	60
13	60	31	60
15	60	33	60
17	60	35	60
19	60	37	60
21	60	39	60
23	60		

\* Other Between Frame Widths available. See chart at left.