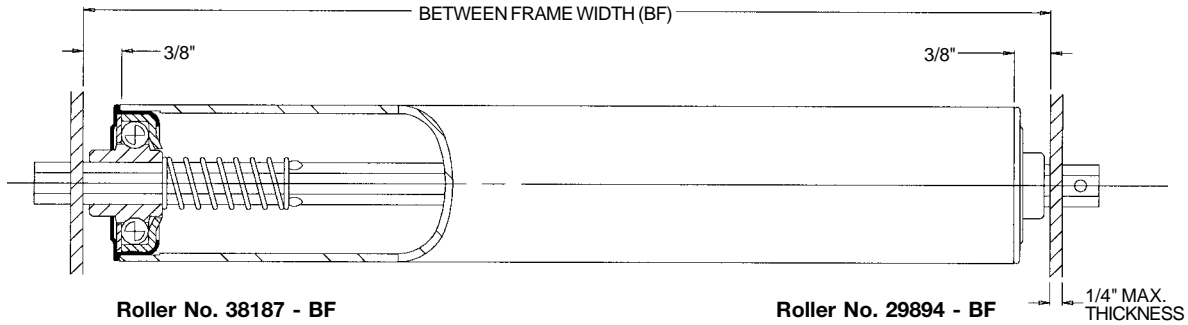


Roller 1 5/8 in. O.D. x 14 ga. - 3/8 in. Hex Axle



Roller No. 38187 - BF

Roller No. 29894 - BF

1/4" MAX. THICKNESS

Description:

Tube: 1 5/8 in. O.D. x 14 ga. (.083 in.)

Axle: 3/8 in. Hex

Spring No.: 37379

Pin No.: 101010

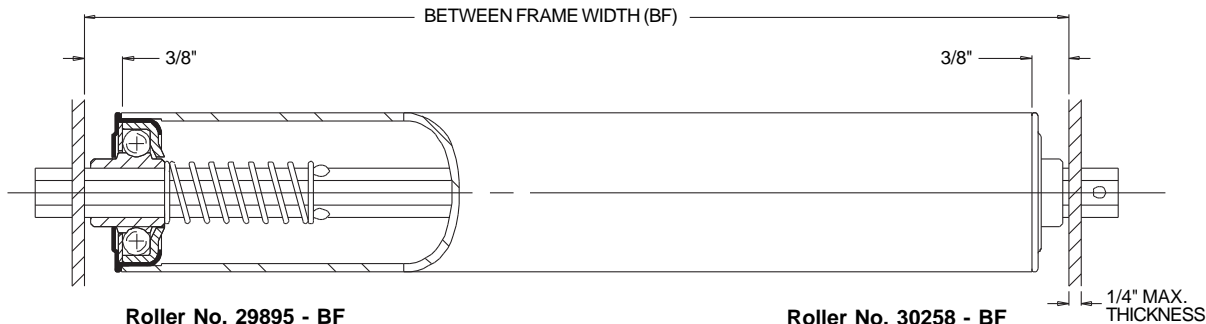
Weight (lbs.): 0.42 + 0.15 x BF

Roller No.	Bearing No.	Retained	BF
29894 - BF	102180 - Plain	Pin	3 - 39
38187 - BF	102180 - Plain	Spring	7 - 39

ROLLER CAPACITY CHART (LBS.)			
BF*	Bearing No. 102180	BF*	Bearing No. 102180
7	290	25	290
9	290	27	290
11	290	29	290
13	290	31	290
15	290	33	290
17	290	35	290
19	290	37	290
21	290	39	290
23	290		

* Other Between Frame Widths available. See chart at left.

Roller 1 5/8 in. O.D. x 14 ga. - 7/16 in. Hex Axle



Roller No. 29895 - BF

Roller No. 30258 - BF

1/4" MAX. THICKNESS

Description:

Tube: 1 5/8 in. O.D. x 14 ga. (.083 in.)

Axle: 7/16 in. Hex

Spring No.: 11375

Pin No.: 101010

Weight (lbs.): 0.44 + 0.16 x BF

Roller No.	Bearing No.	Retained	BF
29895 - BF	102052 - Plain	Spring	7 - 63
30258 - BF	102052 - Plain	Pin	3 - 63

ROLLER CAPACITY CHART (LBS.)			
BF*	Bearing No. 102052	BF*	Bearing No. 102052
7	290	37	240
10	290	40	222
13	290	43	206
16	290	46	192
19	290	49	180
22	290	52	169
25	290	55	160
28	290	58	152
31	288	61	144
34	262	63	139

* Other Between Frame Widths available. See chart at left.