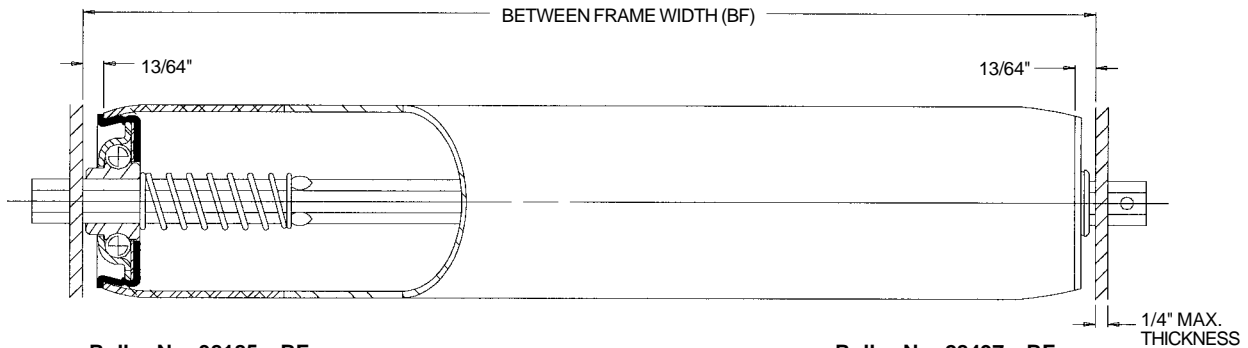


## Roller 1.9 in. O.D. x 16 ga. - 3/8 in. Hex Axle



Roller No. 38185 - BF

Roller No. 28497 - BF

**Description:**

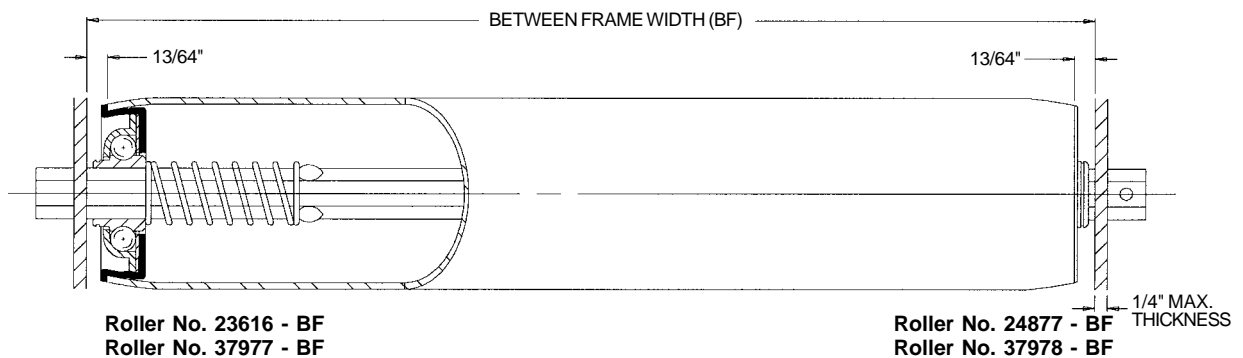
- Tube:** 1.9 in. O.D. x 16 ga. (.065 in.)
- Axle:** 3/8 in. Hex
- Spring No.:** 37379
- Pin No.:** 101010
- Weight (lbs.):**  $0.34 + 0.14 \times \text{BF}$

BF*	Bearing No. 102292	BF*	Bearing No. 102292
7	260	25	219
9	260	27	203
11	260	29	188
13	260	31	176
15	260	33	165
17	260	35	155
19	260	37	146
21	260	39	139
23	239		

Roller No.	Bearing No.	Retained	BF
28497 - BF	102292 - Plain	Pin	3 - 39
38185 - BF	102292 - Plain	Spring	7 - 39

\* Other Between Frame Widths available. See chart at left.

## Roller 1.9 in. O.D. x 16 ga. - 7/16 in. Hex Axle



Roller No. 23616 - BF  
Roller No. 37977 - BF

Roller No. 24877 - BF  
Roller No. 37978 - BF

**Description:**

- Tube:** 1.9 in. O.D. x 16 ga. (.065 in.)
- Axle:** 7/16 in. Hex
- Spring No.:** 11375
- Pin No.:** 101010
- Weight (lbs.):**  $0.35 + 0.15 \times \text{BF}$
- Option:** Galvanized Tube, Grooved Roller

BF*	Bearing No. 102279 102154	BF*	Bearing No. 102279 102154
7	260	37	260
10	260	40	260
13	260	43	260
16	260	46	260
19	260	49	244
22	260	52	230
25	260	55	217
28	260	58	206
31	260	61	195
34	260	63	189

Roller No.	Bearing No.	Retained	BF
23616 - BF	102154 - Plain	Spring	7 - 63
24877 - BF	102154 - Plain	Pin	3 - 63
37977 - BF	102279 - Seal	Spring	7 - 63
37978 - BF	102279 - Seal	Pin	3 - 63

\* Other Between Frame Widths available. See chart at left.