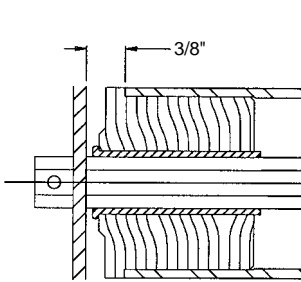
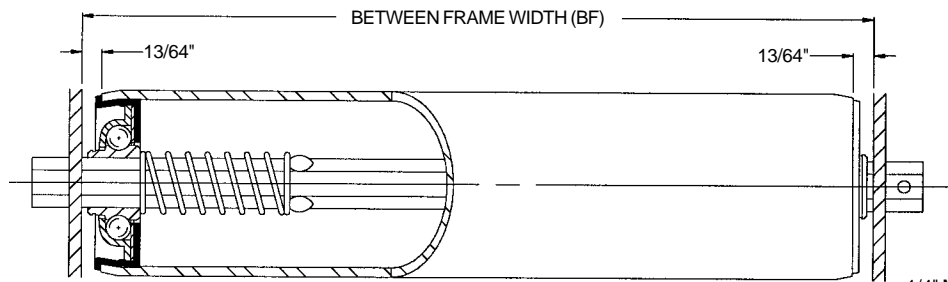


## Roller 1.9 in. O.D. x 13 ga. - 7/16 in. Hex Axle



Roller No. 28504 - BF  
Hardwood Bearing



Roller No. 17438 - BF

Roller No. 17439 - BF  
1/4" MAX. THICKNESS

### Description:

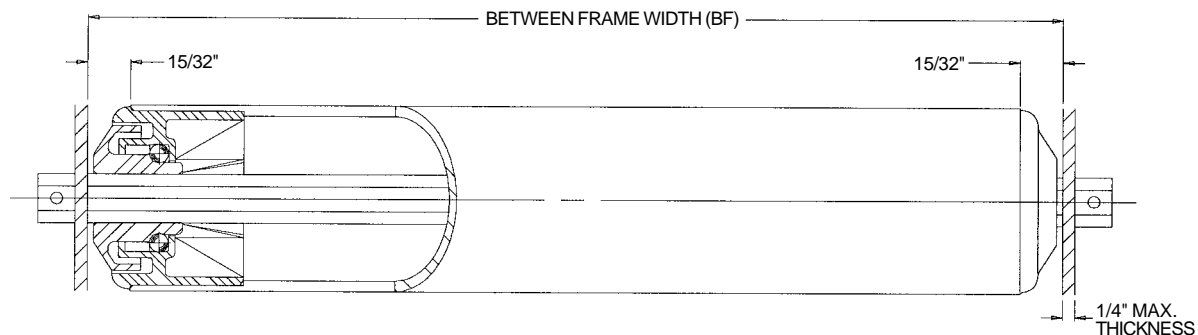
**Tube:** 1.9 in. O.D. (1 7/8 in. actual) x 13 ga. (.095 in.)  
**Axle:** 7/16 in. Hex  
**Spring No.:** 11375  
**Pin No.:** 101010  
**Weight (lbs.):** 0.36 + 0.20 x BF

Roller No.	Bearing No.	Retained	BF
17438 - BF	102154 - Plain	Spring	7 - 63
17439 - BF	102154 - Plain	Pin	3 - 63
28505 - BF	102133 - Wood	Pin	4 - 63

ROLLER CAPACITY CHART (LBS.)					
BF*	Bearing No.		BF*	Bearing No.	
	102154	102133		102154	102133
7	260	400	37	260	131
10	260	400	40	260	121
13	260	400	43	260	112
16	260	328	46	260	104
19	260	270	49	244	98
22	260	229	52	229	92
25	260	199	55	217	87
28	260	176	58	205	82
31	260	158	61	195	78
34	260	143	63	189	75

\* Other Between Frame Widths available. See chart at left.

## Roller 1.9 in. O.D. x 12 ga. - 7/16 in. Hex Axle - Stainless Steel



### Description:

**Tube:** 1.9 in. O.D. x 12 ga. (.109 in.) - Stainless Steel  
**Axle:** 7/16 in. Hex - Stainless Steel  
**Bearing No.:** 102132 - Polypropylene Bearing with 7/16 in. Hex Bushing - Stainless Steel Balls  
**Pin No.:** 101010  
**Weight (lbs.):** 0.06 + 0.22 x BF  
**Roller No.:** 28499 - BF  
**BF Range:** 4 - 39

ROLLER CAPACITY CHART (LBS.)			
BF*	Bearing No. 102132	BF*	Bearing No. 102132
7	40	25	40
9	40	27	40
11	40	29	40
13	40	31	40
15	40	33	40
17	40	35	40
19	40	37	40
21	40	39	40
23	40		

\* Between Frame Widths available from 4 in. to 39 in.