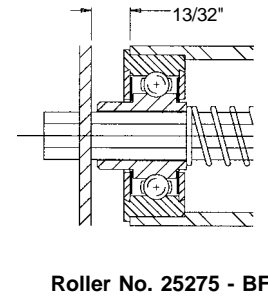
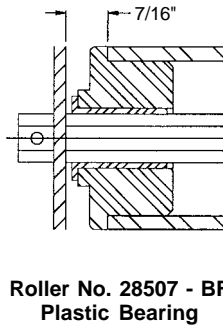
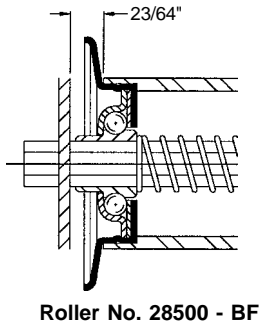
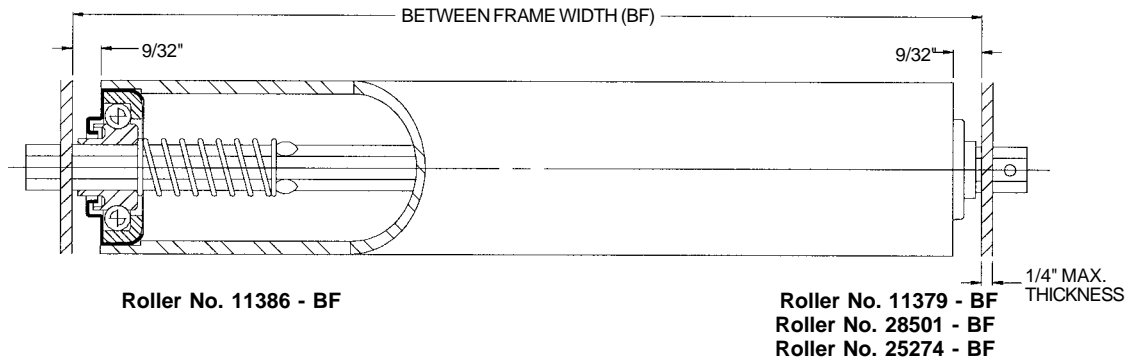


Roller 1.9 in. O.D. x .145 in. Wall - 7/16 in. Hex Axle



Description:

Tube: 1.9 in. O.D. x 145 in. Wall
Axle: 7/16 in. Hex
Spring No.: 11375
Pin No.: 101010
Weight (lbs.): 0.37 + 0.27 x BF
Options: Aluminum, PVC, Stainless Tube
 or Grooved Roller

Roller No.	Bearing No.	Retained	BF
11386 - BF	102051 - Shield	Spring	7 - 63
11379 - BF	102051 - Shield	Pin	3 - 63
28500 - BF	102131 - Flanged	Spring	7 - 63
28501 - BF	102131 - Flanged	Pin	3 - 63
25275 - BF	102155 - Seal/Shield	Spring	7 - 63
25274 - BF	102155 - Seal/Shield	Pin	3 - 63
28507 - BF	102134 - Journal	Pin	3 - 63

ROLLER CAPACITY CHART (LBS.)									
BF*	Bearing No.				BF*	Bearing No.			
	102051	102131	102155	102134		102051	102131	102155	102134
7	300	260	585	180	39	241	260	178	157
11	300	260	585	180	43	218	260	161	142
15	300	260	492	180	47	199	260	147	129
19	300	260	380	180	51	183	243	135	119
23	300	260	310	180	55	170	--	125	110
27	300	260	261	180	59	158	--	116	102
31	300	260	226	180	63	148	--	109	96
35	270	260	199	176					

* Other Between Frame Widths available. See chart above.