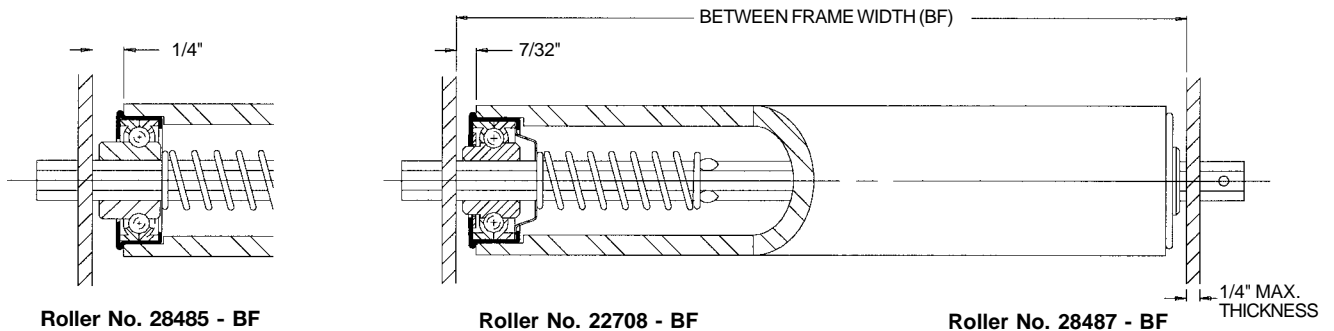


Roller 1 3/8 in. O.D. x 3/16 in. Wall - 5/16 in. Hex Axle



Roller No. 28485 - BF

Roller No. 22708 - BF

Roller No. 28487 - BF

Roller No. 28486 - BF

Description:

Tube: 1 3/8 in. O.D. x 3/16 in. Wall (.188 in.)

Axle: 5/16 in. Hex

Spring No.: 11372

Pin No.: 101136

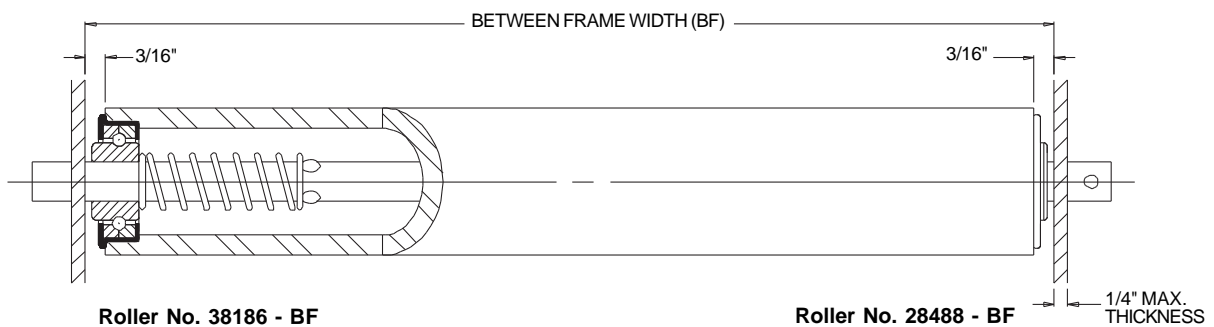
Weight (lbs.): 0.10 + 0.22 x BF

Roller No.	Bearing No.	Retained	BF
22708 - BF	102046 - Shield	Spring	7 - 39
28487 - BF	102046 - Shield	Pin	3 - 39
28485 - BF	102043 - Plain	Spring	7 - 39
28486 - BF	102043 - Plain	Pin	3 - 39

ROLLER CAPACITY CHART (LBS.)					
BF*	Bearing No.		BF*	Bearing No.	
	102046	102043		102046	102043
7	150	150	25	143	131
9	150	150	27	132	121
11	150	150	29	123	113
13	150	150	31	115	105
15	150	150	33	107	99
17	150	150	35	101	93
19	150	150	37	96	88
21	150	150	39	91	83
23	150	143			

* Other Between Frame Widths available. See chart at left.

Roller 1 3/8 in. O.D. x 3/16 in. Wall - 3/8 in. Round Axle



Roller No. 38186 - BF

Roller No. 28488 - BF

Description:

Tube: 1 3/8 in. O.D. x 3/16 in. Wall (.188 in.)

Axle: 3/8 in. Round

Spring No.: 11372

Pin No.: 101010

Weight (lbs.): 0.15 + 0.23 x BF

Roller No.	Bearing No.	Retained	BF
28488 - BF	102173 - Plain	Pin	3 - 39
38186 - BF	102173 - Plain	Spring	7 - 39

ROLLER CAPACITY CHART (LBS.)			
BF*	Bearing No. 102173	BF*	Bearing No. 102173
7	80	25	80
9	80	27	80
11	80	29	80
13	80	31	80
15	80	33	80
17	80	35	80
19	80	37	80
21	80	39	80
23	80		

* Other Between Frame Widths available. See chart at left.