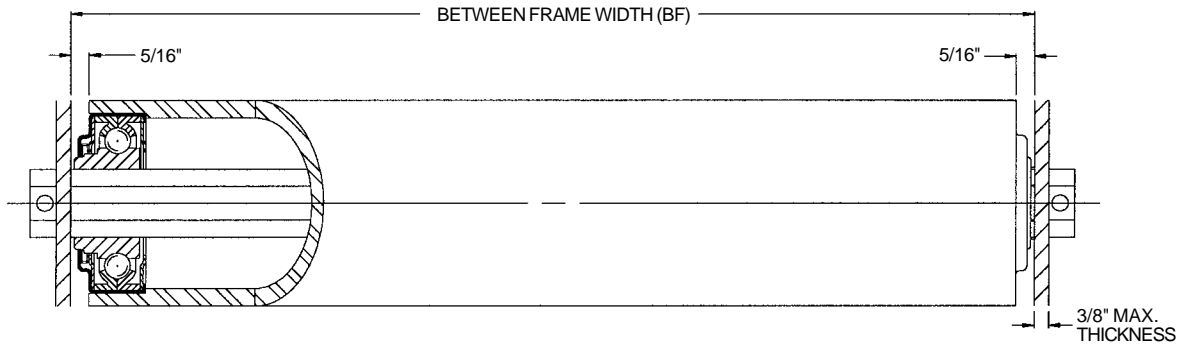


Roller 3 1/2 in. O.D. x .300 in. Wall - 1 in. Hex Axle



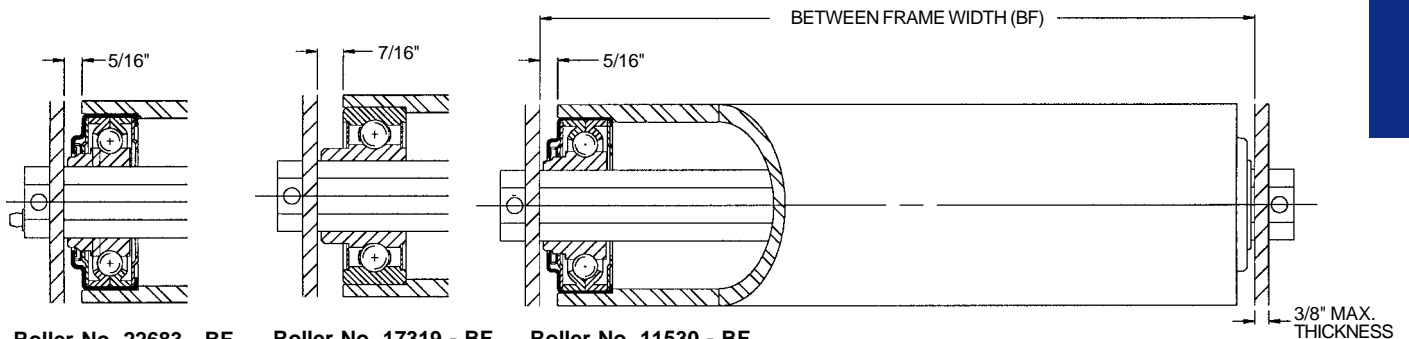
Description:

Tube: 3 1/2 in. O.D. x .300 in. Wall
Axle: 1 in. Hex
Bearing No.: 102314 - Seal/Shield
Pin No.: 101009
Weight (lbs.): 2.50 + 1.10 x BF
Roller No.: 31444 - BF
BF Range: 4 - 120

BF*	Bearing No. 102314	BF*	Bearing No. 102314
7	1040	67	1040
12	1040	72	1040
17	1040	77	1040
22	1040	82	1040
27	1040	87	1040
32	1040	92	1040
37	1040	97	1040
42	1040	102	1040
47	1040	107	1040
52	1040	112	1040
57	1040	117	1040
62	1040	120	1040

* Between Frame Widths available from 4 in. to 120 in.

Roller 3 1/2 in. O.D. x .300 in. Wall - 1 1/16 in. Hex Axle



Roller No. 22683 - BF
 Regreasable

Roller No. 17319 - BF

Roller No. 11530 - BF
 Roller No. 11528 - BF

Description:

Tube: 3 1/2 in. O.D. x .300 in. Wall
Axle: 1 1/16 in. Hex
Pin No.: 101009
Weight (lbs.): 3.10 + 1.13 x BF

Roller No.	Bearing No.	Retained	BF
11530 - BF	102061 - Seal/Shield	Pin	4 - 120
11528 - BF	102060 - Plain	Pin	4 - 120
17319 - BF	102101 - Seal/Shield	Pin	4 - 120
22683 - BF	102086 - Seal	Pin	4 - 120

BF*	Bearing No.			BF*	Bearing No.		
	102060	102101	102101		102060	102101	
	102061	102086			102061	102086	
7	1040	4130	1841	67	1040		
12	1040	4130		72	1040		
17	1040	4130	77	1040			
22	1040	4130	82	1040			
27	1040	4130	87	1040			
32	1040	3989	92	1040			
37	1040	3419	97	1040			
42	1040	2992	102	1040			
47	1040	2659	107	1040			
52	1040	2393	112	1040			
57	1040	2176	117	1040			
62	1040	1994	120	1040			

* Between Frame Widths available from 4 in. to 120 in.